



ALDEBARAN® 360 GRAD FLEX-C LED 960 2.0

SETOLITE Lichttechnik GmbH

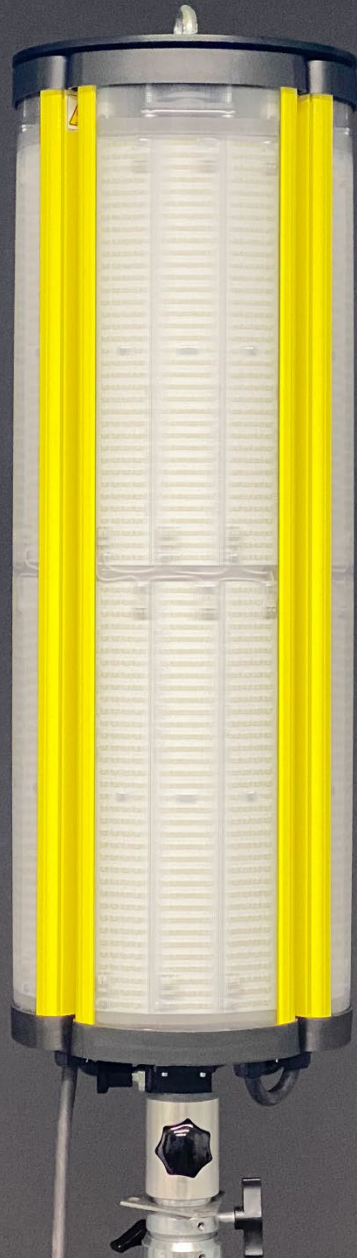
Bockhackerstraße 13

42499 Hückeswagen

Germany

Professional Lighting Solutions





ALDEBARAN® 360 GRAD FLEX-C LED 960 2.0

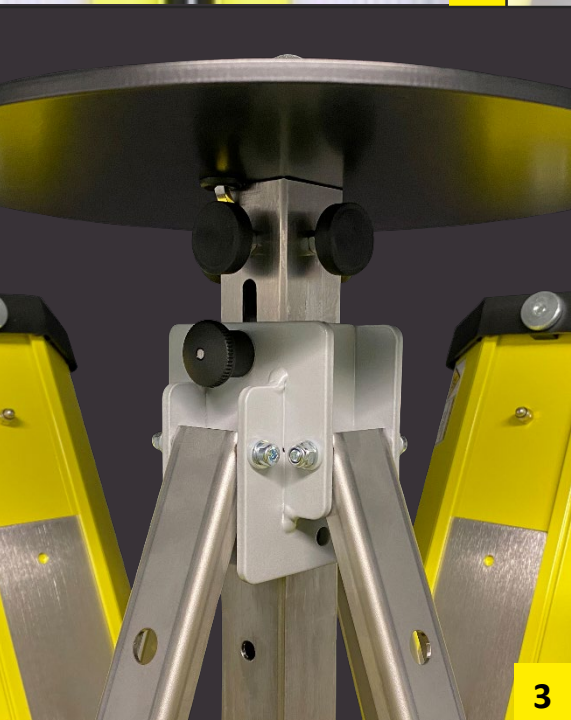
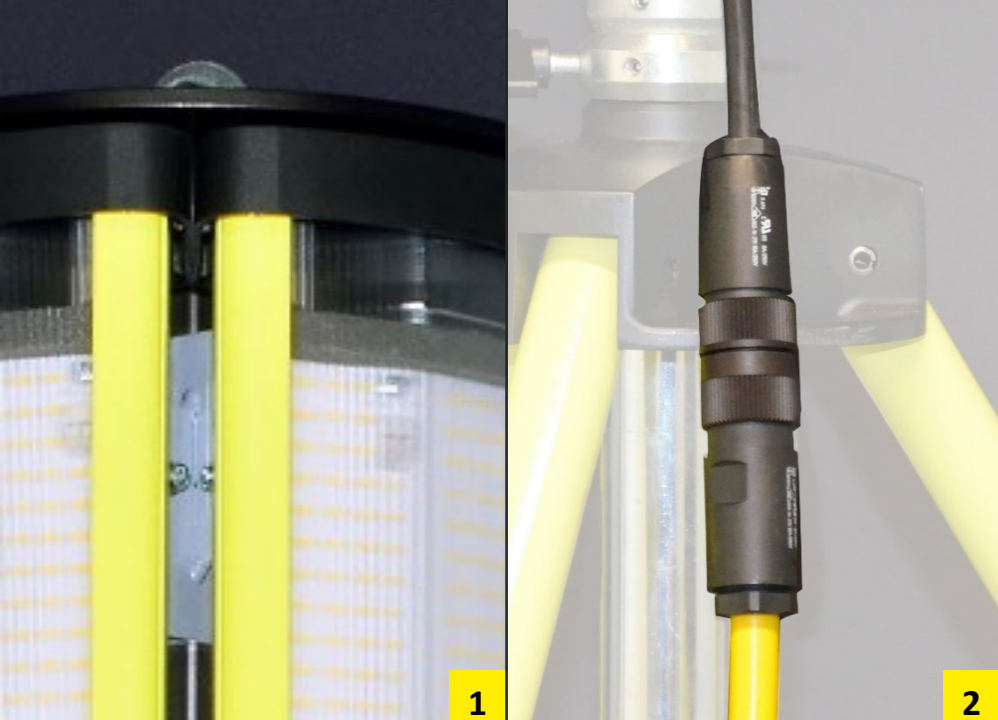
Details

- Ultra-compact, ultra-bright and easy-to-use large area luminaire
- High performance – up to 145,000 lumens of real available light output
- Optimal lighting effect thanks to the multi-stage adjustable angle (patented adjustment system)
- Lighting segments are arranged in pairs (180° each) via control box and all segments can be completely dimmed together
- Compact design – therefore wind-resistant, robust thanks to vibration-proof screw connection
- Space-saving transport thanks to integration of drivers and power supplies
- The lights are transported in a compact, specially made transport box
- Corrosion resistance: V2A stainless steel, powder-coated aluminium components and robust plastic
- Up to 300 percent more light on the ground with less energy consumption than conventional lighting systems

ALDEBARAN® 360 GRAD FLEX-C LED 960 2.0

Details

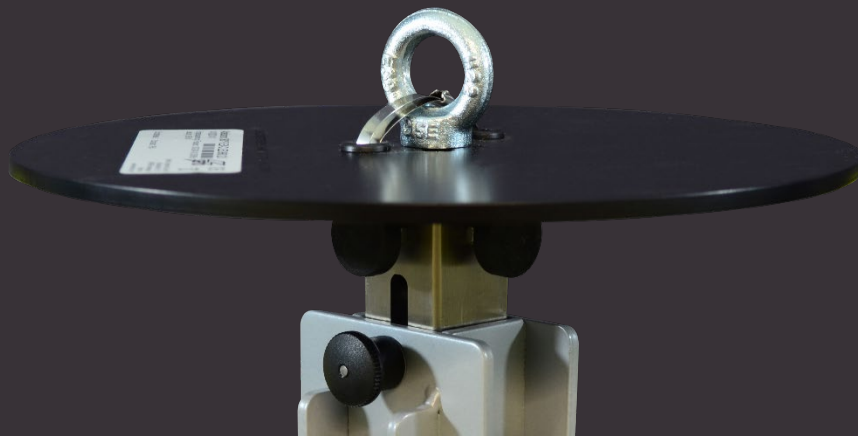
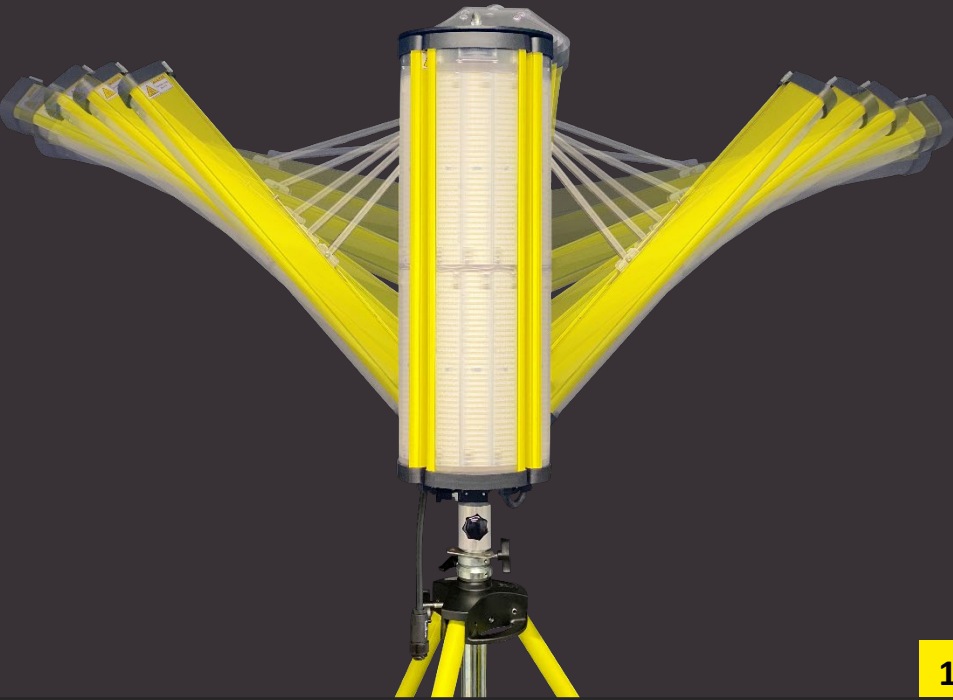
- Impact and shock-proof diffusers protect the LED modules and ensure a homogeneous light image (fig. 1)
- Screwable quick-release fasteners enable the supply line to be exchanged without specialist personnel (only version "CONNECT", fig. 2)
- Magnetic closure of the folding mechanism (fig. 3)
- "DIM" control box for segment-by-segment switching and stepless dimming (fig. 4)



ALDEBARAN® 360 GRAD FLEX-C LED 960 2.0

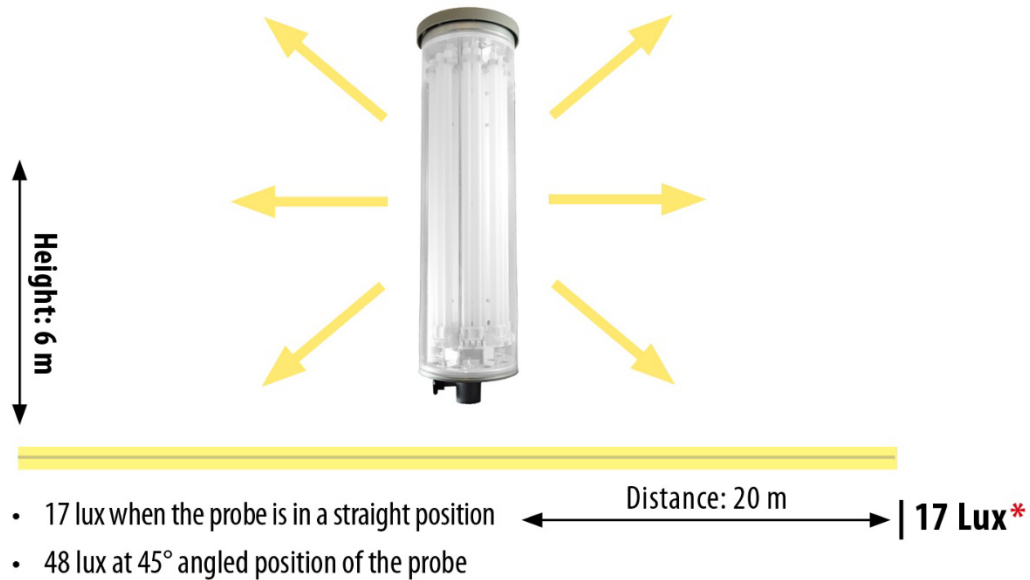
Mounting of the lamp

- Quickly ready for use: "One man" assembly / dismantling, no warming up / cooling down phase
- Built-in mount for DIN mast bolts
- Adjustable in six levels (fig. 1)
- Also suitable for hanging operation thanks to the integrated stainless steel ring eyelet (fig. 2)
- Adjustable from below or above (mast or hanging operation)
- Adjustable beam angle from approx. 0 to 90 degrees, thus illumination is given for every situation
- Additional locking of the ring eyelet prevents rotation and unwanted loosening of the lamp (fig. 2)



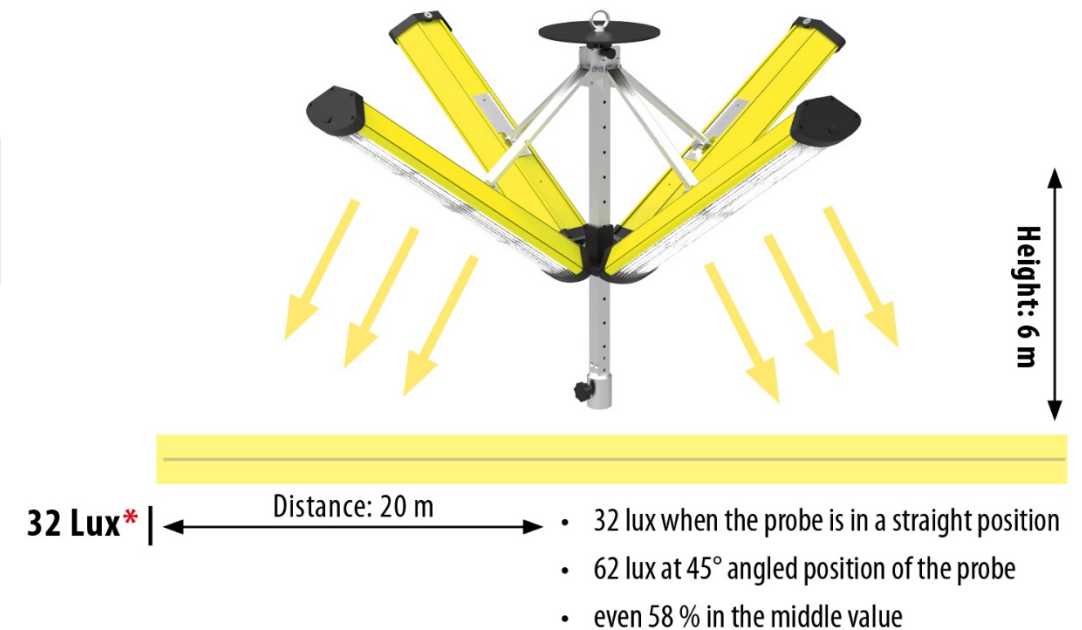
LIGHT MEASUREMENT UNDER REAL CONDITIONS – CONVENTIONAL ALL-ROUND LUMINAIRE COMPARED TO THE ALDEBARAN® 360 GRAD FLEX SERIES

CONVENTIONAL ALL-ROUND LUMINAIRE



VS.

ALDEBARAN® 360 GRAD FLEX



*** with the same output of 960 watts**



ALDEBARAN® 360 GRAD FLEX-C LED 960 2.0

Technical Data

Lighting data	
Luminant	4 x LED module à 240 W
Luminous Flux	159,500 lm
Luminous Flux (real)	145,000 lm
Colour Temperature	5,000 K
Durability	50,000 h
CRI	> 80

Electrical data	
Input Voltage	100 to 240 V
Mains Frequency	50/60 HZ
Type of Current	AC
Power Consumption	960 W
Protection Class	I

General Data	
Temperature (min. / max.)	-30 to +40 °C
Dimensions (d x h)	235 x 812 mm
Weight	21 kg
IP Class	IP 54
Dimmable	Yes (only "DIM" version)
Plug	Schuko IP 68 blue
Exchangeable Cable	Yes
Total Cable Length	10 m (all versions)
Cable Length Plug-Control Unit	5 m*
Cable Length Control Unit-Lamp	5 m*
Light Functions	flexible beam angle, 180°/360° switch, Dim (only "DIM" version)

* only for version "DIM"

PRODUCT VARIANTS AT A GLANCE FOR ALDEBARAN® 360 GRAD FLEX-C SERIES

ALDEBARAN® 360 GRAD FLEX-C LED 960 - 2.0

WITH SUPPLY LINE + CONTROL UNIT

- 01 Connector on the lamp („Connect“ SYSTEM)
- 02 Cable with power plug IP68 (10 m)
- 03 Switch box IP65 with segmental 180° switching + dimming function

Item no: 1410001411



“CONNECT“ FEATURE



LED Technology

FLEX-C LED 960 - 2.0

(clear glass)



Input voltage	100 - 240 V AC
Power consumption	960 W
Luminous flux	159,500 lm
Luminous flux (real)*	145,000 lm
Illuminant	4 x LED module à 240 W
Life time	50,000 h
CRI	> 80
Colour temperature approx.	5,000 K

Dimension (Ø) approx.	235 x 812 mm
Ambient temperature	-30 to +40 °C
Weight	21 kg

IP54 protected

ALDEBARAN® 360 GRAD FLEX-C LED 600 COMPACT - 2.0

WITH SUPPLY LINE + CONTROL UNIT

- 01 Connector on the lamp („Connect“ SYSTEM)
- 02 Cable with power plug IP68 (8 m)
- 03 Switch box IP65 with segmental 180° switching + dimming function

Item no: 1410001414



“CONNECT“ FEATURE



LED Technology

FLEX-C LED 600 COMPACT 2.0

(milky glass)



Input voltage	100 - 240 V AC
Power consumption	600 W
Luminous flux	97,500 lm
Luminous flux (real)*	85,000 lm
Illuminant	4 x LED module à 150 W
Life time	50,000 h
CRI	> 80
Colour temperature approx.	5,000 K

Dimension (Ø) approx.	235 x 537 mm
Ambient temperature	-30 to +40 °C
Weight	15 kg

IP54 protected



RCK



DIM



SEGMENTAL SWITCHING

RCK: Replaceable cable-kit

* Real lumens

ALDEBARAN® 360 GRAD FLEX-C LED 960 2.0

Accessories

**1**

1 HIGHLINE TRANSPORT CASE for 360 GRAD FLEX LED series (large)

[Item no. 141000650]

- Optimal transport protection
- Dimensions (l x w x h): 840 x 395 x 325 mm

**2**

2 LIGHT DIRECTIONAL MODULE for large 360 GRAD FLEX luminaires

[Item no. 1410001468]

- Glare-free large area lighting
- BAST checked

**3**

3 SUSPENSION KIT HEAVY DUTY for 360 GRAD FLEX & XLD luminaires

[Item no. 1410926021]

- Made of stainless steel
- With three carabines and swivel

ALDEBARAN® 360 GRAD FLEX-C LED 960 2.0

Accessories



1

1 SETO CONSTRUCTION SITE TRIPOD

[Item no. 1410000345]

- Safe and comfortable operation thanks to air damping
- Height: 1.15 to 3.85 m, weight: 13 kg, max. payload: 20 kg, adaption: DIN bolt
- Incl. guy set



2

2 TRIPOD

[Item no. 1410000323]

- Safe and comfortable operation thanks to air damping
- Adjustable feet for level adjustment
- Height: 1.12 to 4.58 m, weight: 13.3 kg, max. payload: 25 kg, adaption: DIN bolt
- Incl. guy set



3

3 TELESCOPE TRIPOD

[Item no. 1410000329]

- Safe and comfortable operation thanks to air damping
- Made of stainless steel
- Adjustable feet for level adjustment
- Incl. guy set
- Height: 1.12 to 4.75 m, weight: 15.4 kg, max. payload: 25 kg, adaption: DIN bolt



4

4 ELEVATOR TRIPOD MF 3-LEGGED

[Item no. 1410000315]

- Safe extension by cranking
- Made of stainless steel
- Height: 1.81 to 3.70 m, weight: 21.4 kg, max. payload: 30 kg, adaption: bolt receiver

DIN BOLT – 30 x 100, for elevator tripod, without fig.

[Item no. 1410960034]

- Made of aluminium
- Dimensions (d x h): 30 x 100 mm

Additional information

Contact Data

SETOLITE Lichttechnik GmbH

Bockhackerstraße 13
42499 Hückeswagen
Germany

Telephone	+49 2192 93624-0
Fax	+49 2192 93624-25
Web	www.setolite.com
E-mail	info@setolite.de
CEO	Peter Schultz
Registration	AG Köln, HRB 36445
VAT Number	DE811757897

